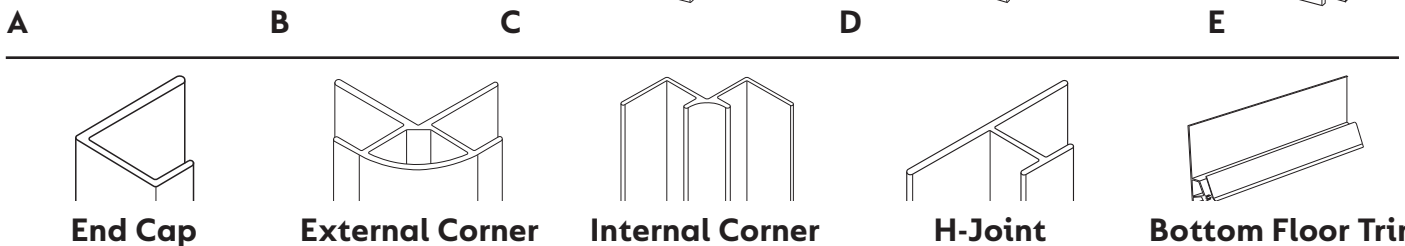
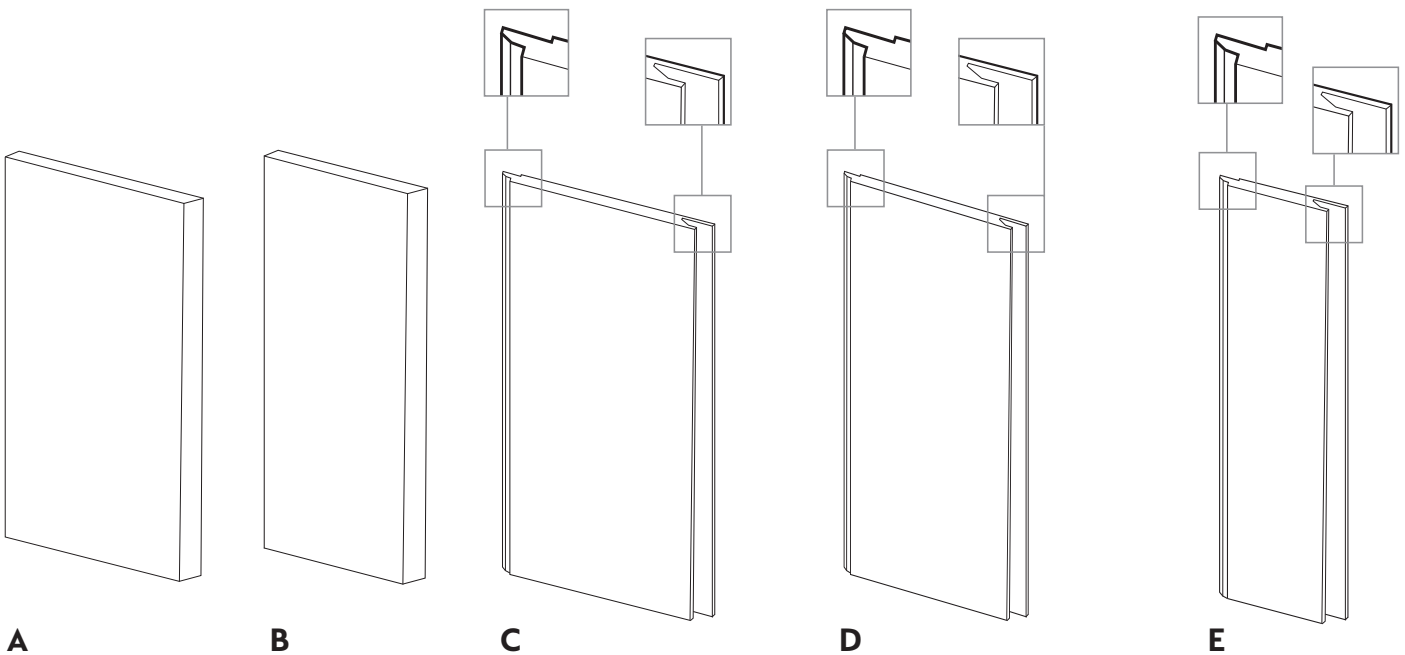
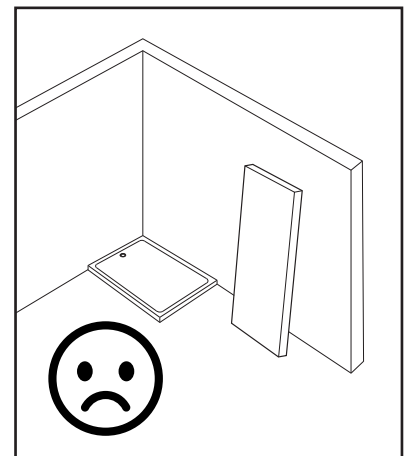
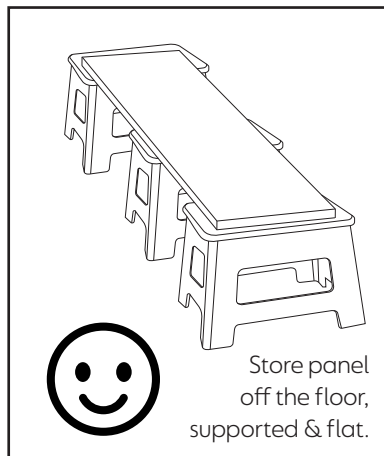
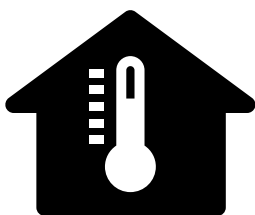


# MERMAID INSTALLATION

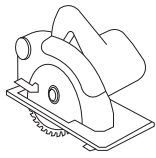
Panel	Dimensions (HxWxD)	Type
A	2420mm x 1210mm x 11mm	Square Edged Panel
B	2420mm x 900mm x 11mm	Square Edged Panel
C	2420mm x 1185mm x 11mm	Tongue & Groove
D	2420mm x 880mm x 11mm	Tongue & Groove
E	2420mm x 585mm x 11mm	Tongue & Groove



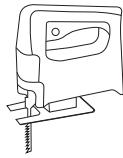
## STORAGE



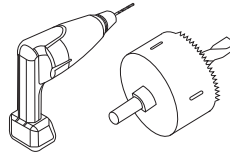
# TOOLS



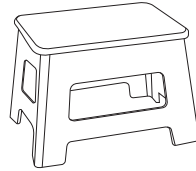
Circular Saw



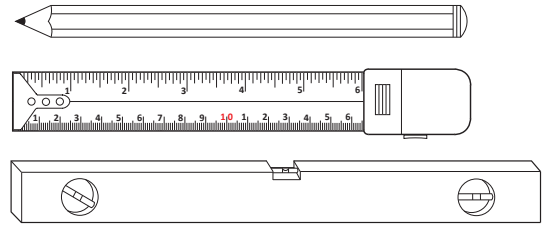
Jig Saw



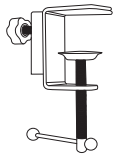
Drill Hole Cutter



Stool/Trestle



Measuring Tape, Pencil & Spirit Level



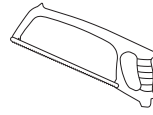
Clamp



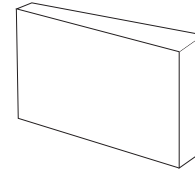
Adhesive



Sealant



Hack Saw

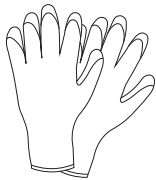


Spacers



Cleaning Wipes

# SAFETY EQUIPMENT



Gloves



Goggles



Boots



Dust Mask

## Damages/Defects

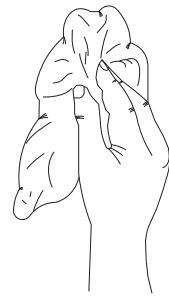
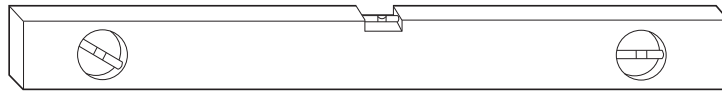
Always check for compatibility of colour and surface prior to installation as slight variations can occasionally occur. If a problem is identified, please contact your supplier immediately, who will be happy to deal with any issues. Once a panel is fitted or cut, it is deemed acceptance of product. Check the panels thoroughly for signs of damages or defects and NEVER begin installation until you are 100% happy. Claims for defects/damages can not be made after installation begins.

## Installation Tips

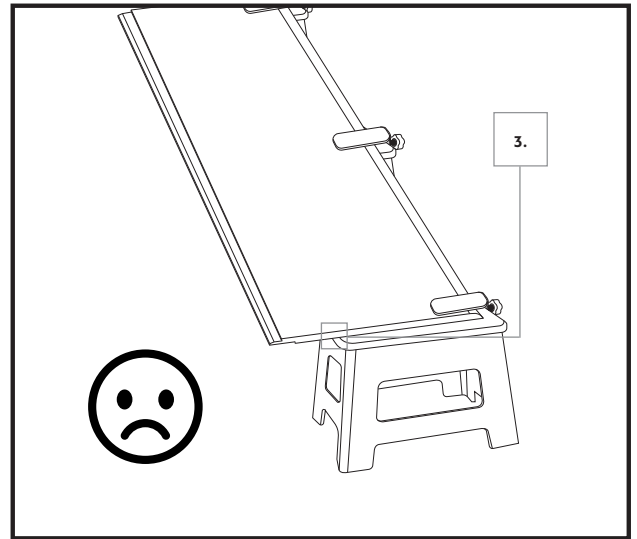
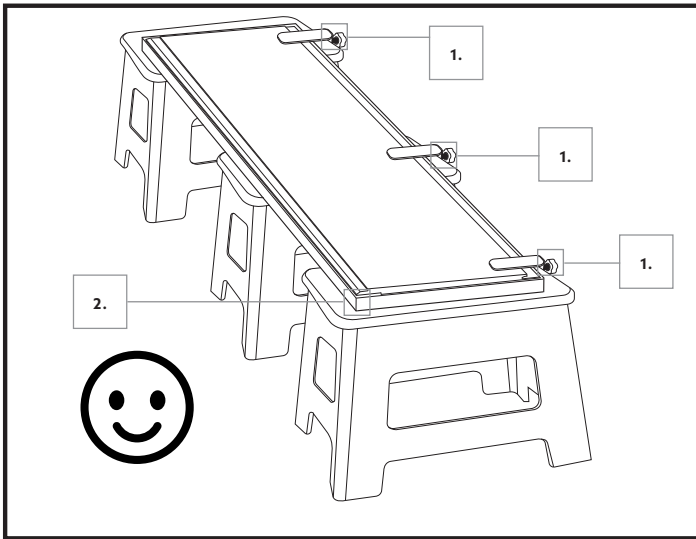
- **We highly recommend performing a 'dry fit' of the install, for alignment purposes. Then remove the panels, clean the back with a damp clean cloth and allow to dry before undertaking the main install.**
- Use Complete coloured cartridges for sealing, seaming and jointing to validate your Lifetime Guarantee.
- **Wilsonart carry a Lifetime Guarantee; being whilst the original purchaser/homeowner owns the product and this is not transferable. Wilsonart will make good by repair and/or replacement (at its discretion) any Wilsonart product of its manufacture which can be shown to have failed by reason of defects in its manufacture, subject to fair wear and tear, provided the product has been installed and used in accordance with the manufacturer's instructions and that the products are used for their intended purpose/application. Proof of date and place of purchase is required. Installation to our guidelines and use of our sealants and adhesives are a condition of this guarantee.**
- **This guarantee is in addition to your statutory rights as a consumer and does not affect your rights in any way.**
- Position all tongue and groove joints vertically.
- Always start panel installations from a corner, working out. Always allow a 3mm gap when finishing at a fixed wall or ceiling, then backfill and finish with a bead of Complete sealant.
- When installing Tongue & Groove panels ensure the receiving edge of the first panel is the groove, and Complete sealant is applied into the groove as well as on the tongue of each joint.
- When panels meet at a tongue and groove joint, remember designs are not intended to match across the joint. This is more obvious on large scale pattern/decors.
- Use white spirit and sealant removal tools along with a clean wipe to remove excess adhesive.

# WALL PREPARATION

Ensure walls are level, dry, clean & damp free.



# CUTTING THE PANELS



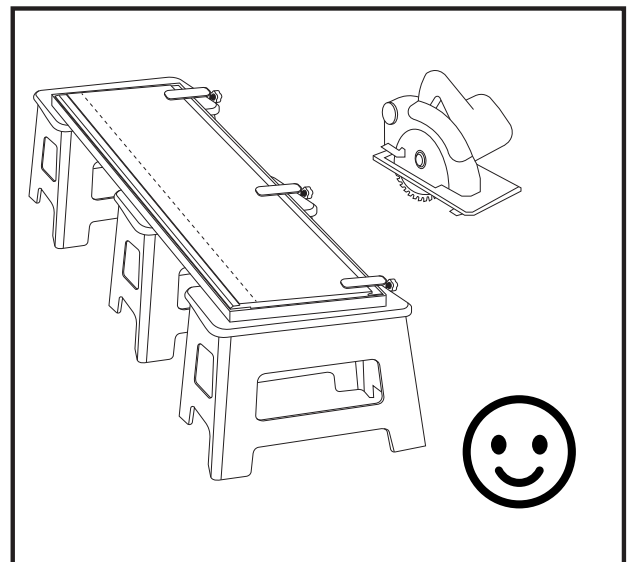
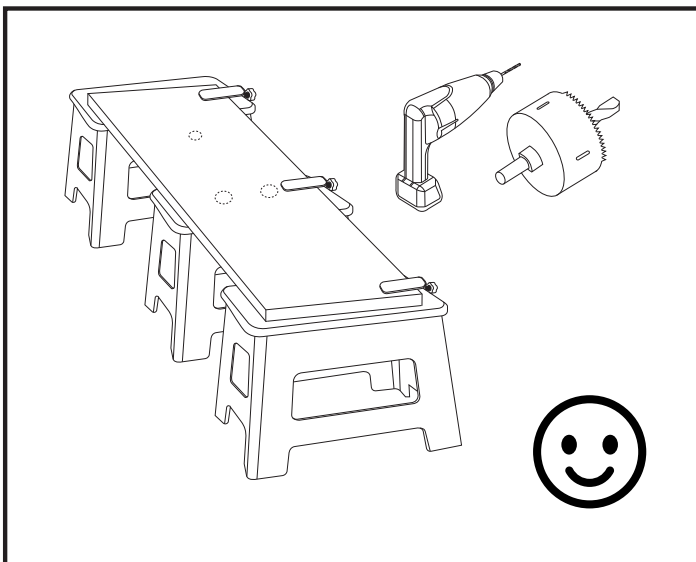
**1. Fully Secure the panel**

**2. Cut into a supporting board**

**3. NEVER have the panel overhang the edge**

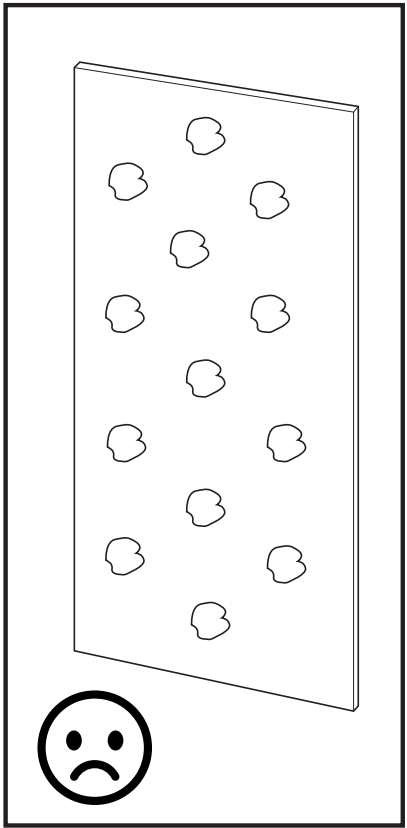
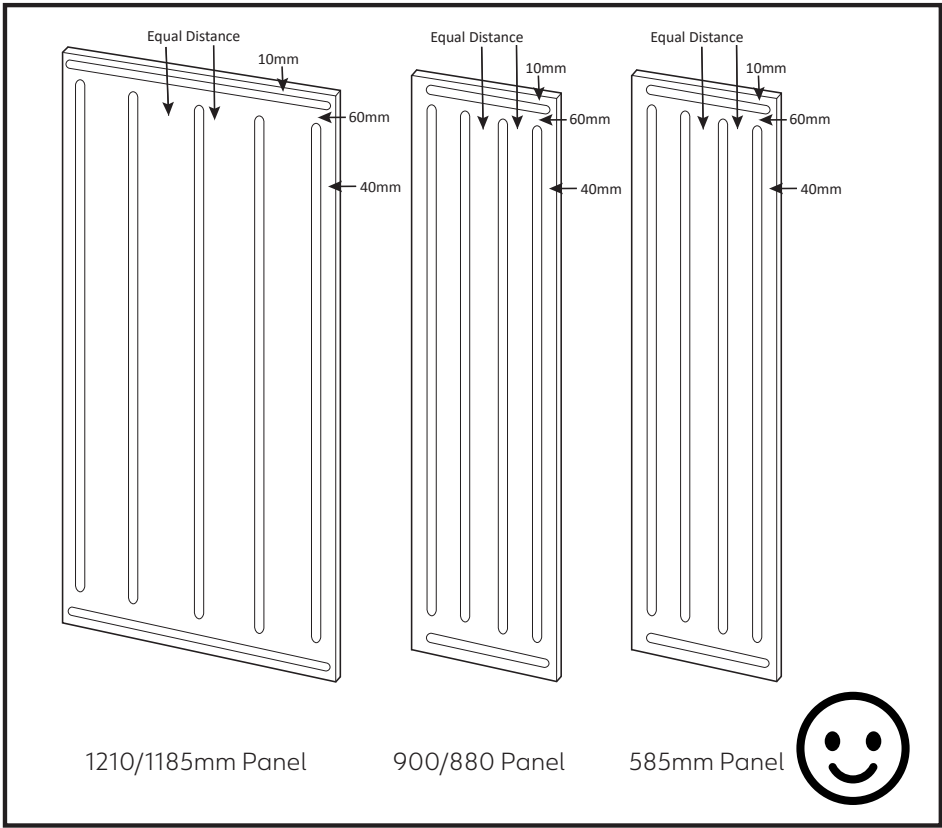
**4. Position the panel face up or down depending on the blade rotation and start all cuts into the factory finished postformed edge. Jigsaws should only be used to scribe curved shapes.**

**Blade type must be 160x20mm with minimum of 48 teeth fine cut saw blade**



# ADHESIVE APPLICATION

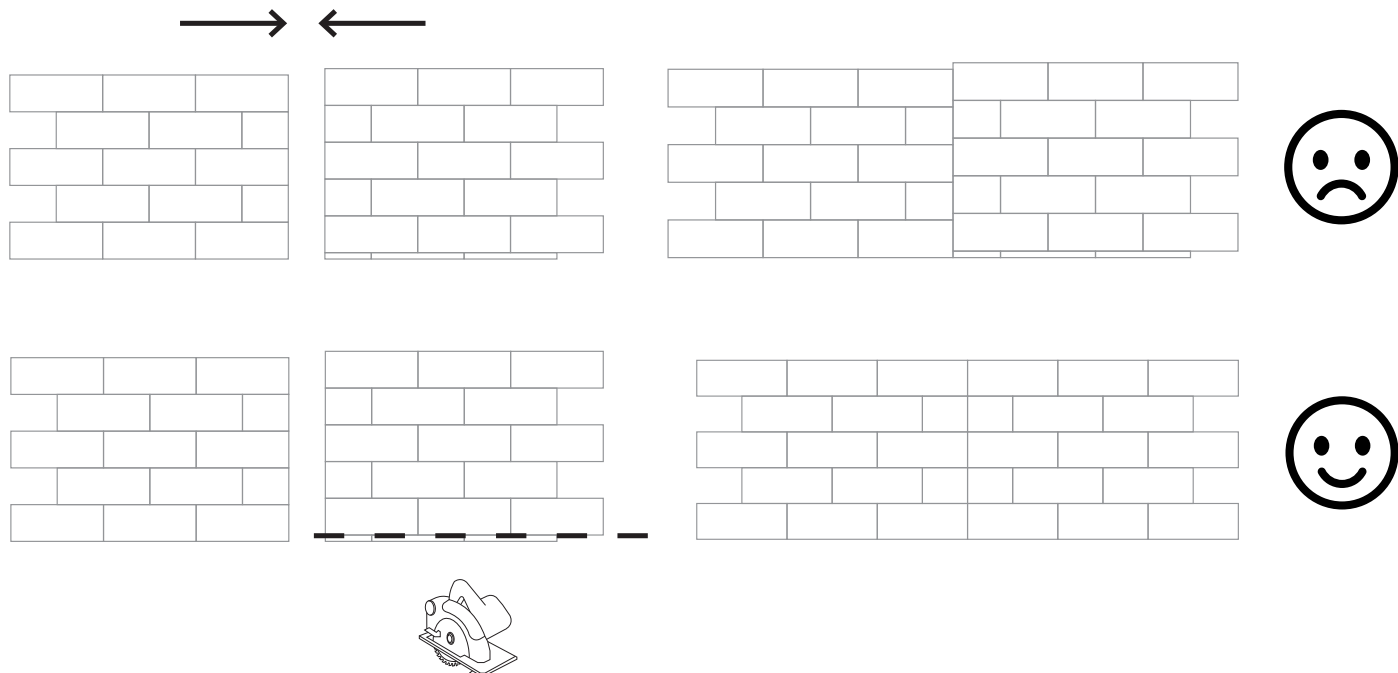
We highly recommend performing a **'dry fit'** of the install, for alignment purposes. Then remove the panels, clean the back with a damp clean cloth and allow to dry before undertaking the main install. Use B/N:2232203 Complete Adhesive.



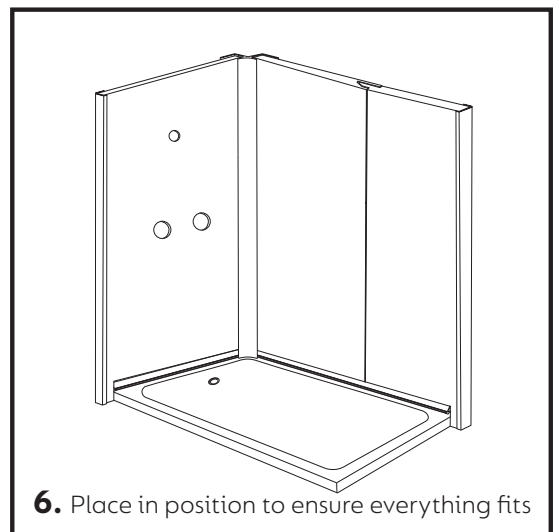
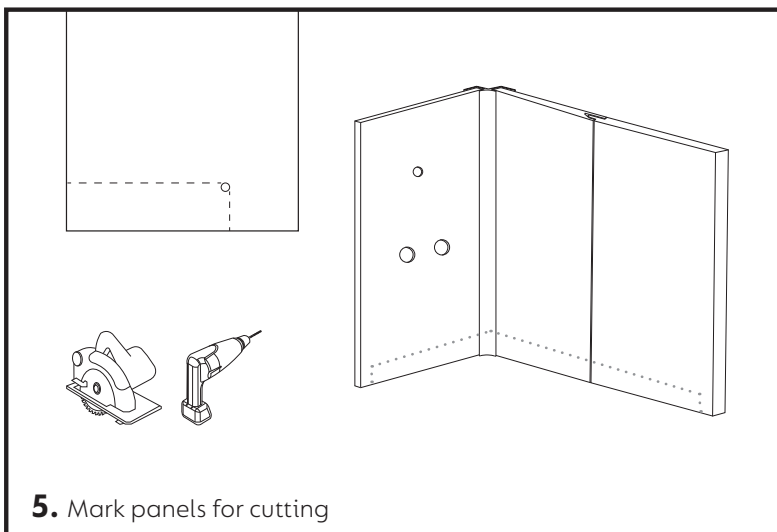
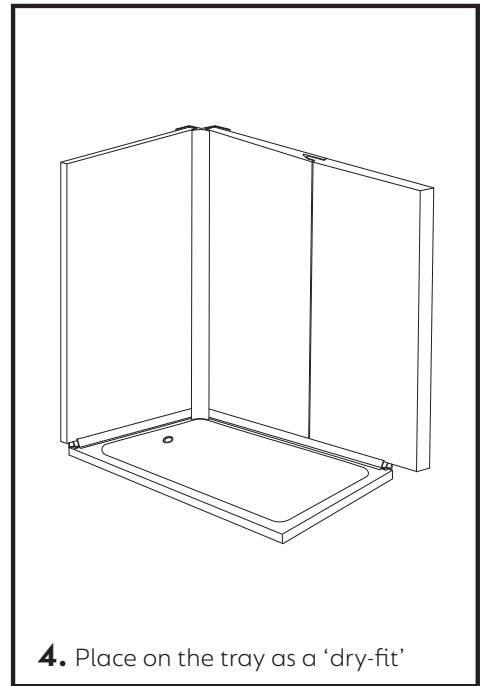
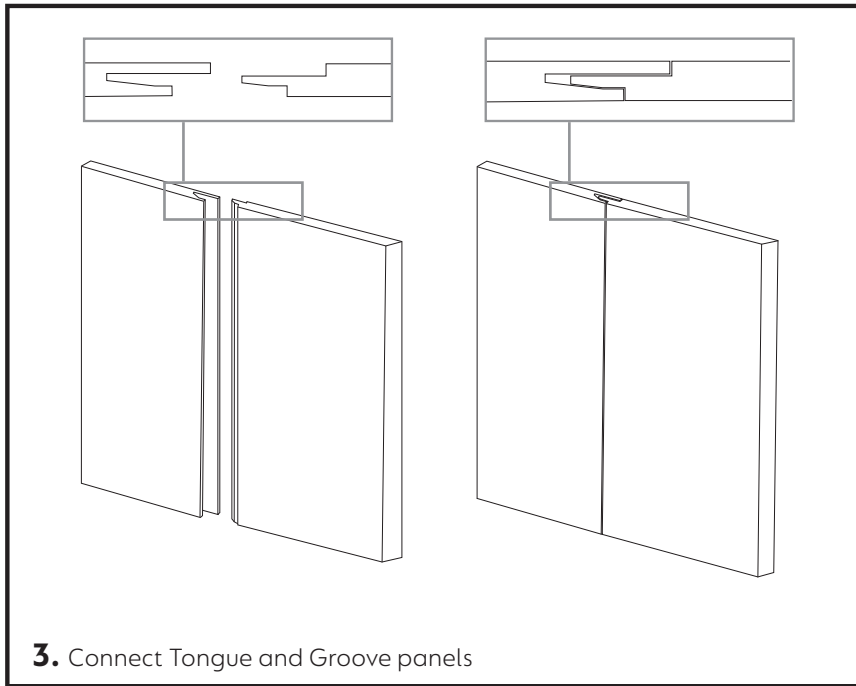
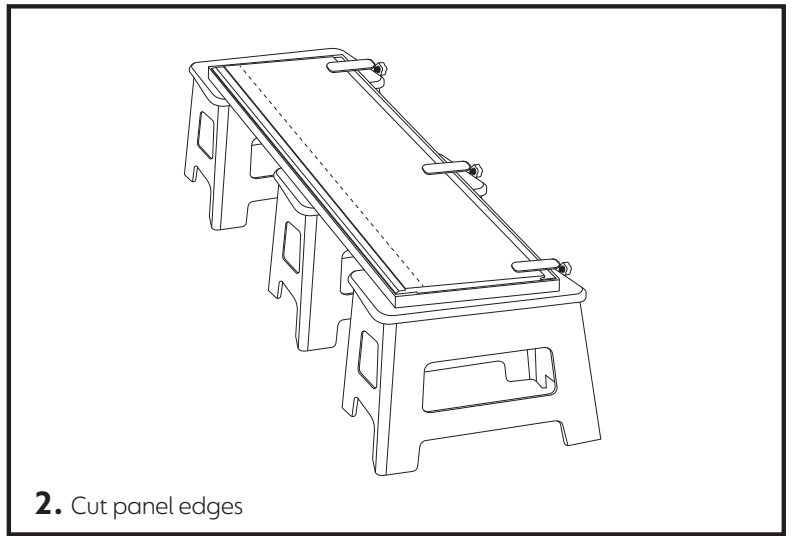
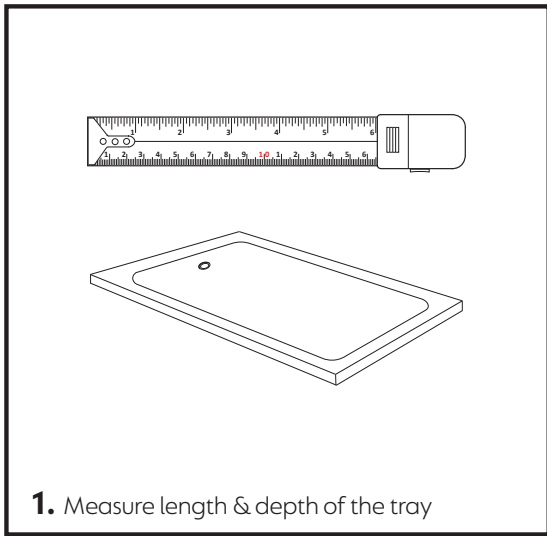
# PATTERN ALIGNMENT

Panels will often require trimming to ensure the patterns align, so we recommend you dry fit your panels and make the necessary adjustments before commencing with the install.

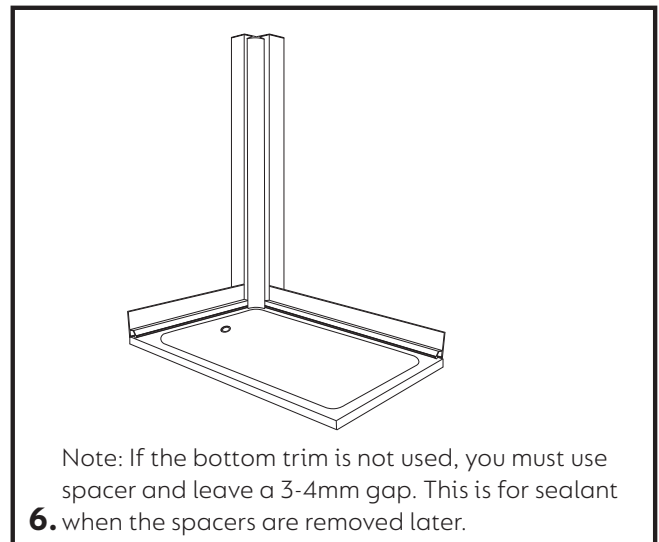
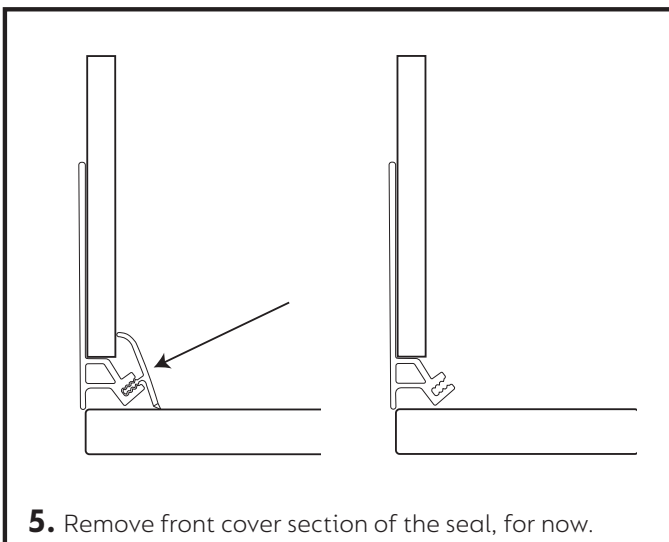
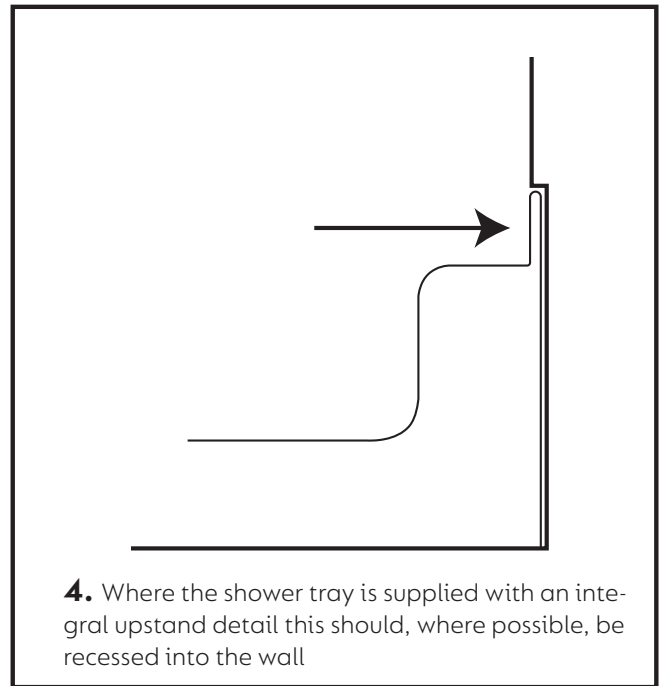
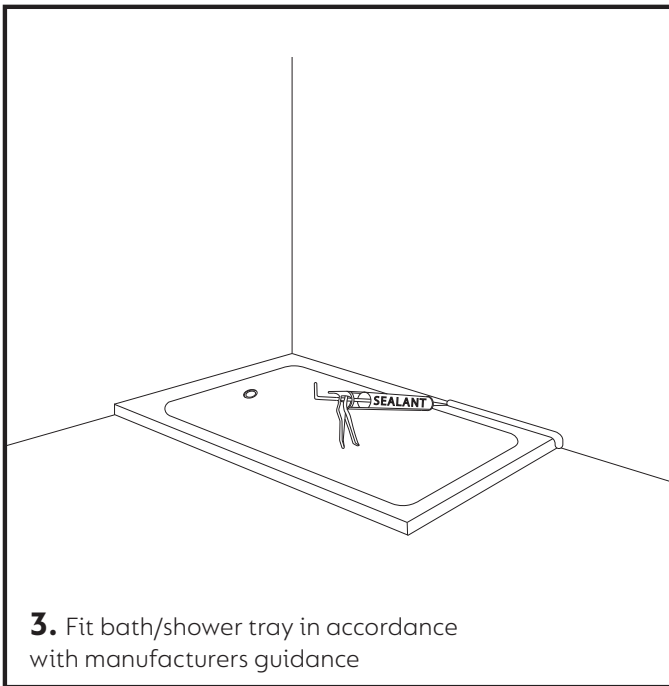
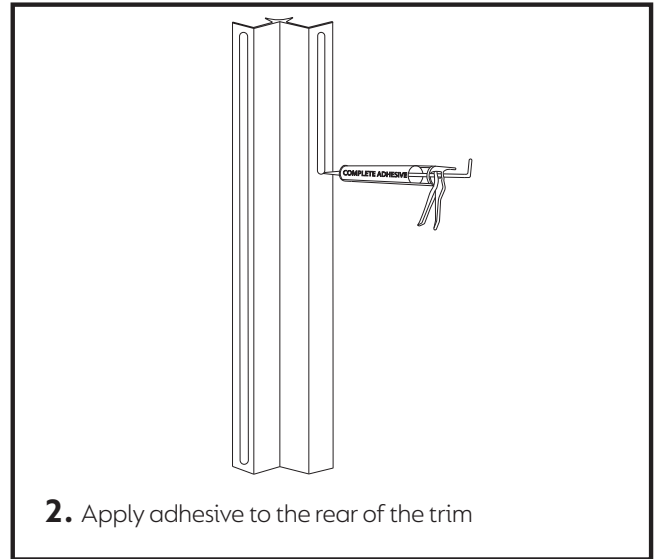
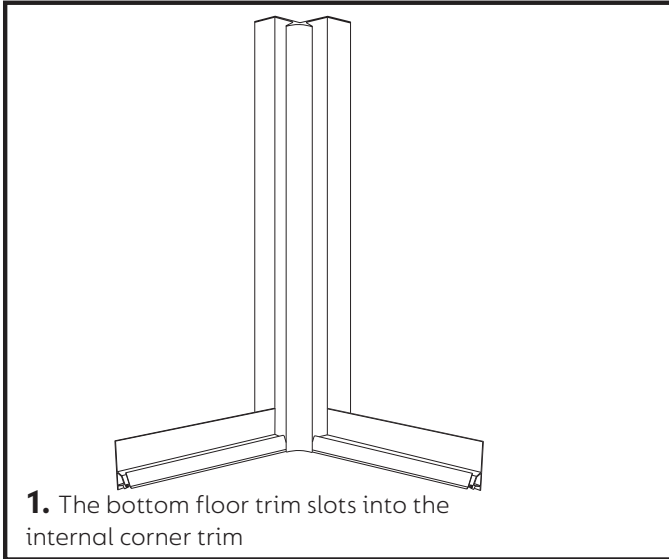
**Please Note: In some layouts, trimming both the top and bottom edges may produce a neater result.**



# DRY FIT AROUND SHOWER TRAY

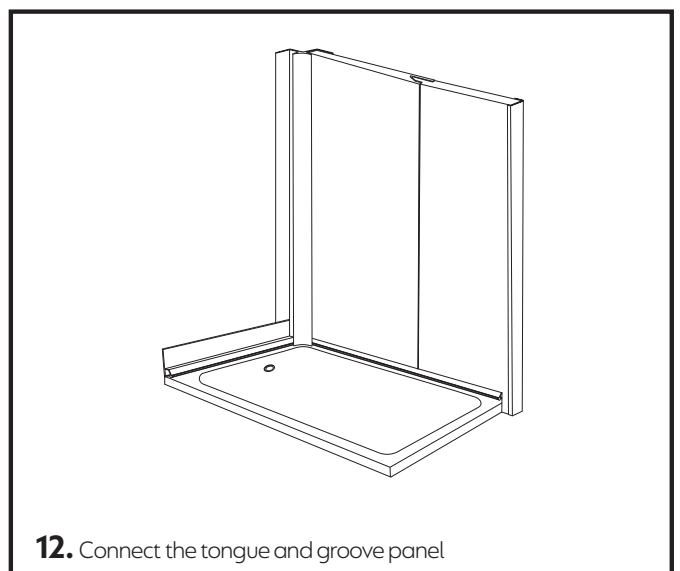
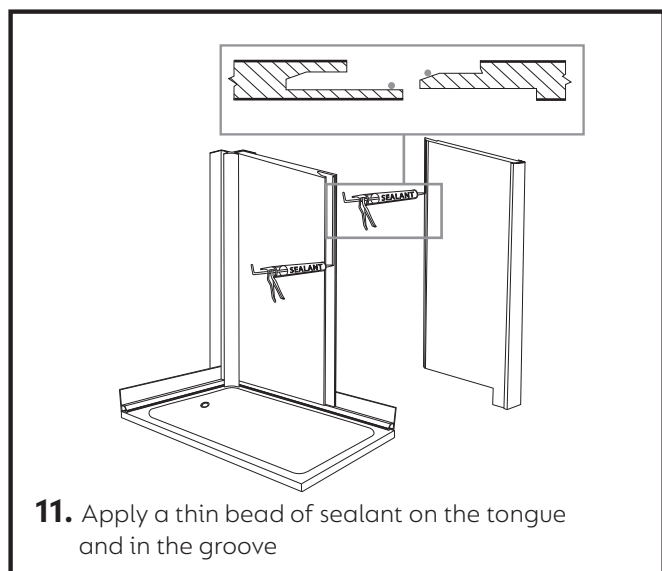
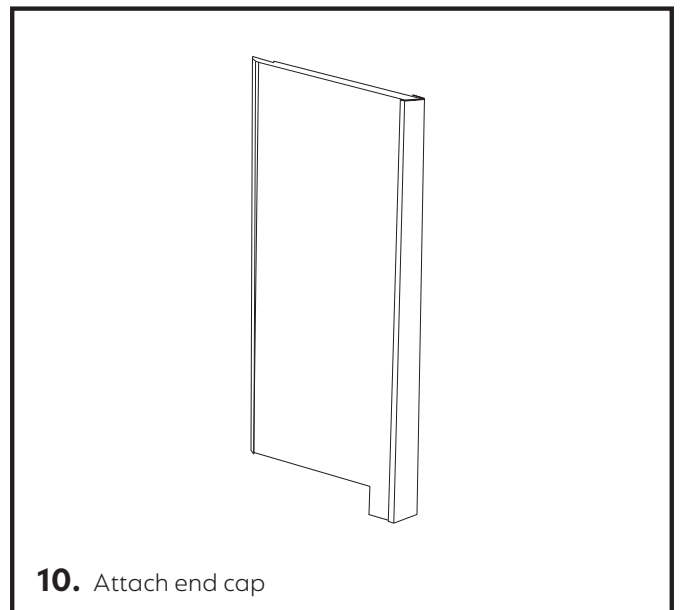
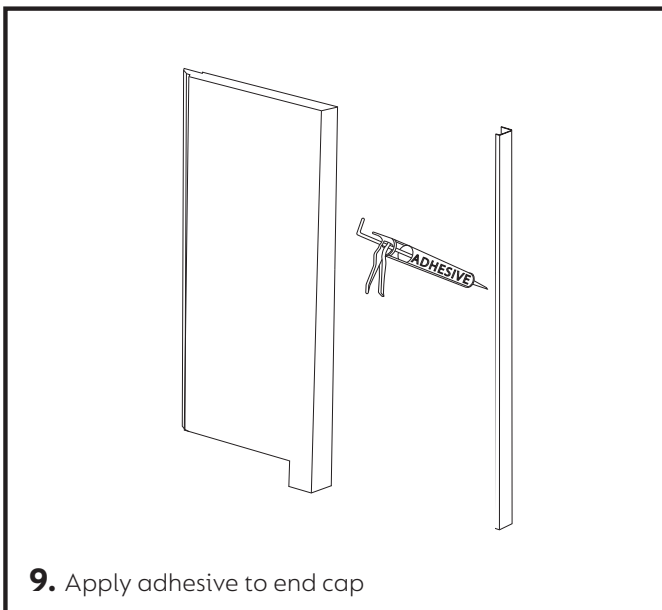
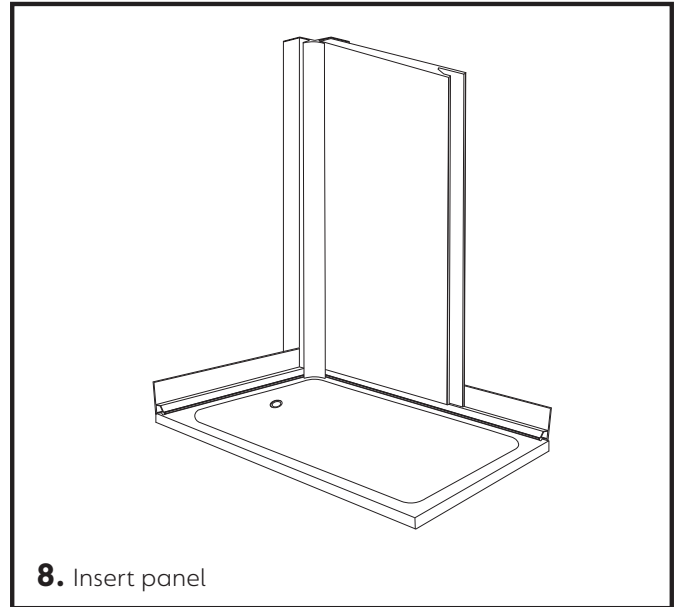
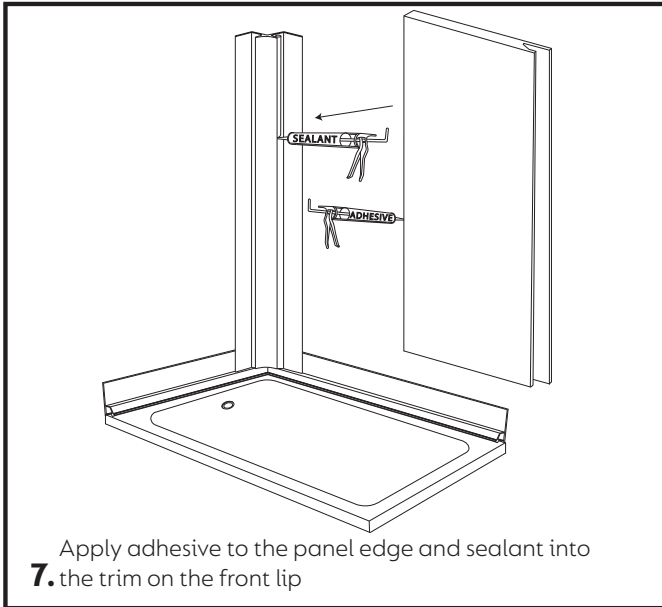


# DRY FIT AROUND SHOWER TRAY



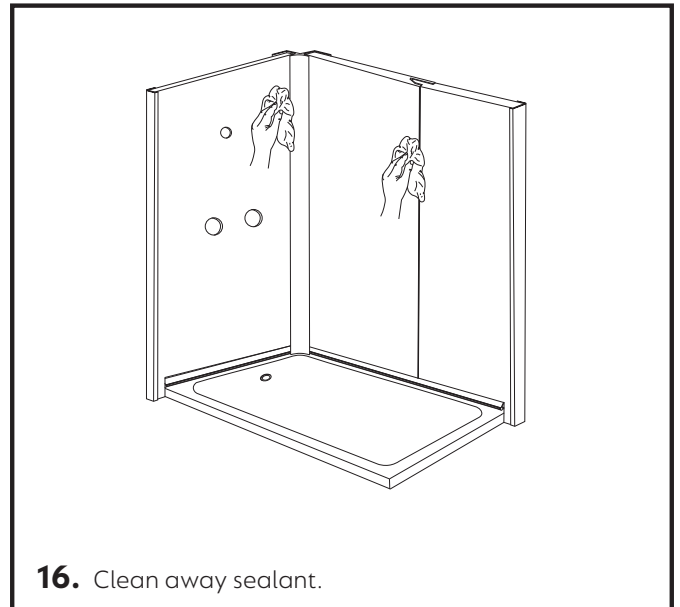
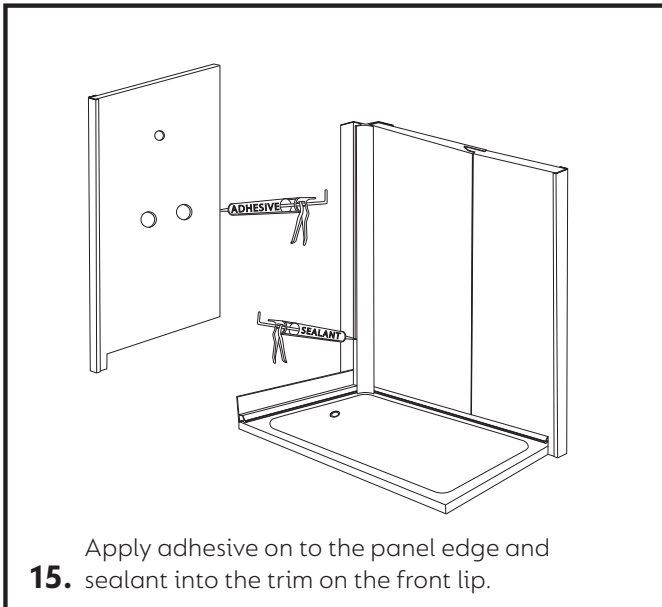
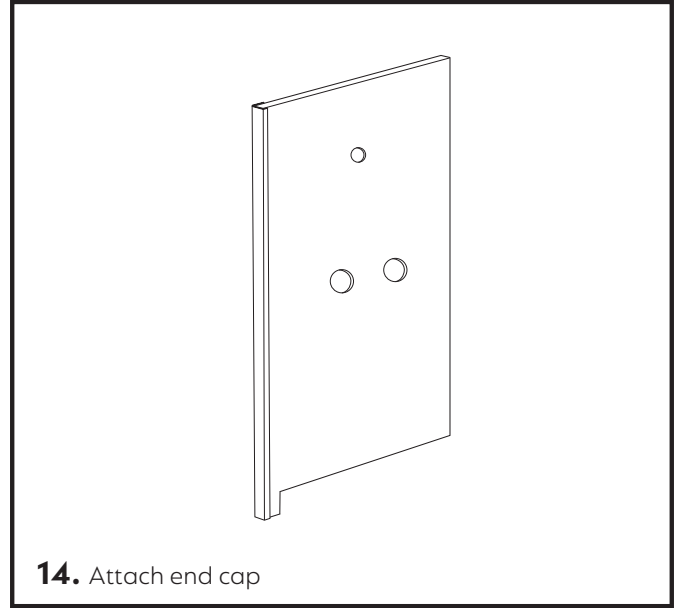
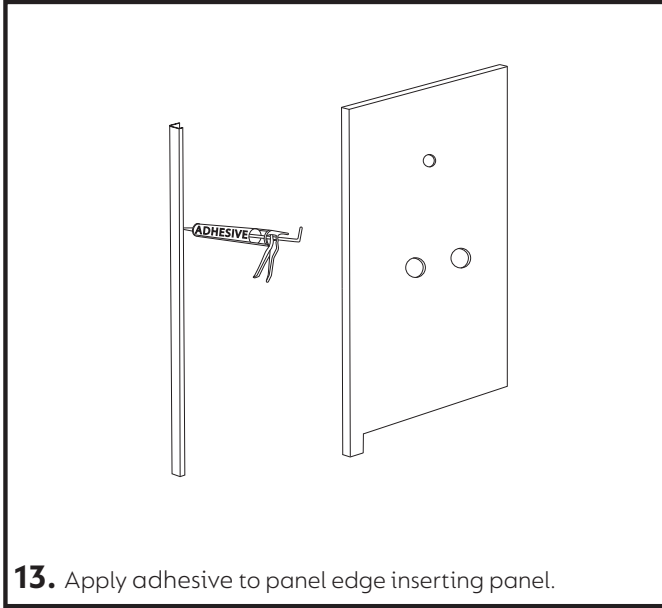
# PANEL INSTALLATION

Apply adhesive before fitting each panel



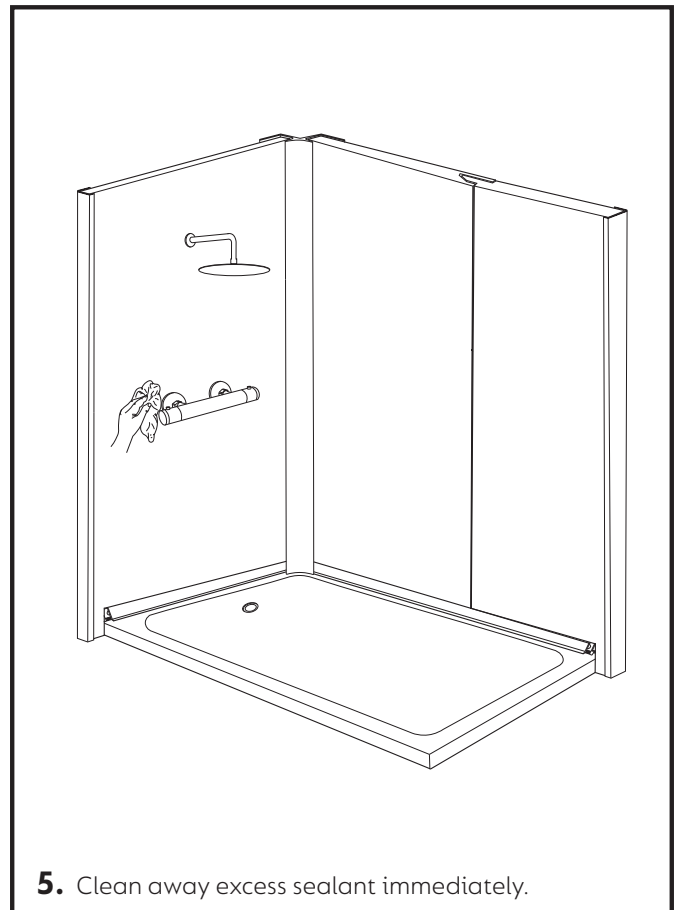
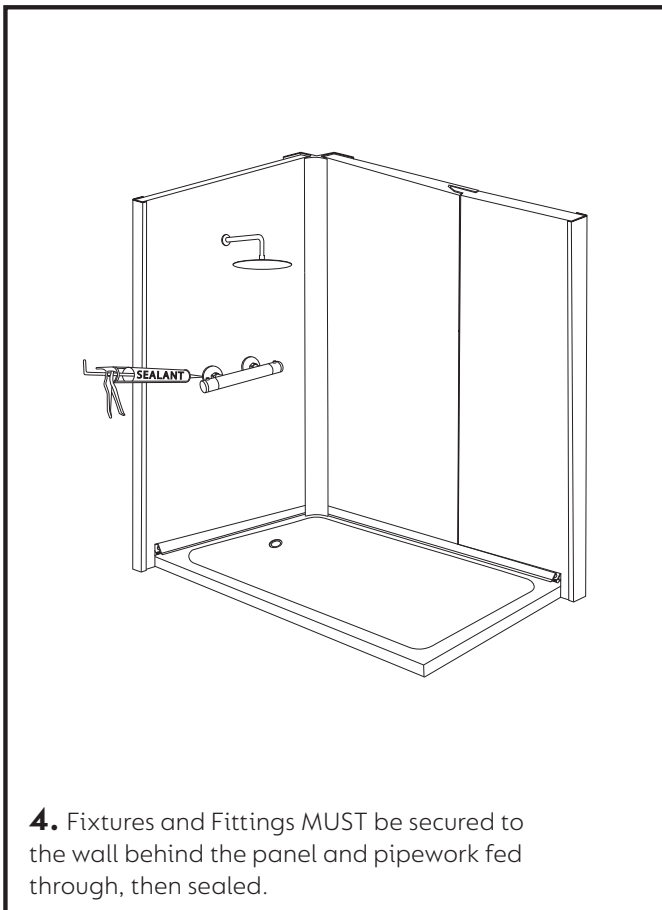
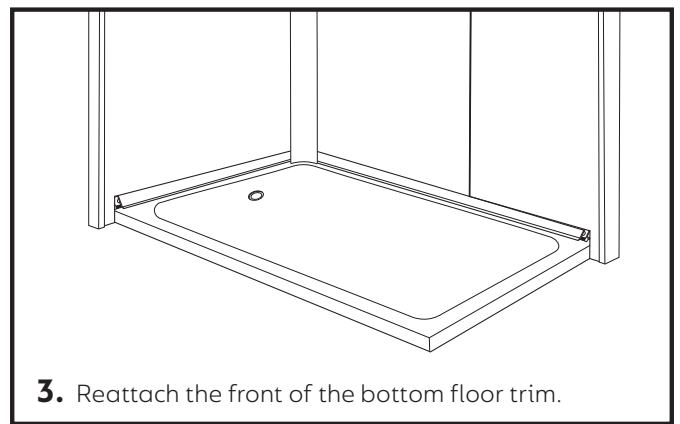
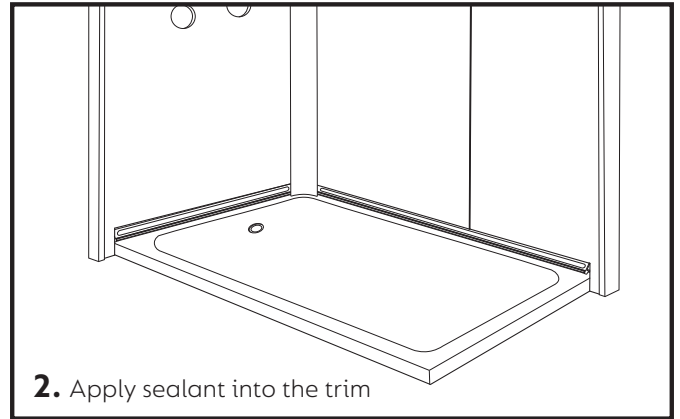
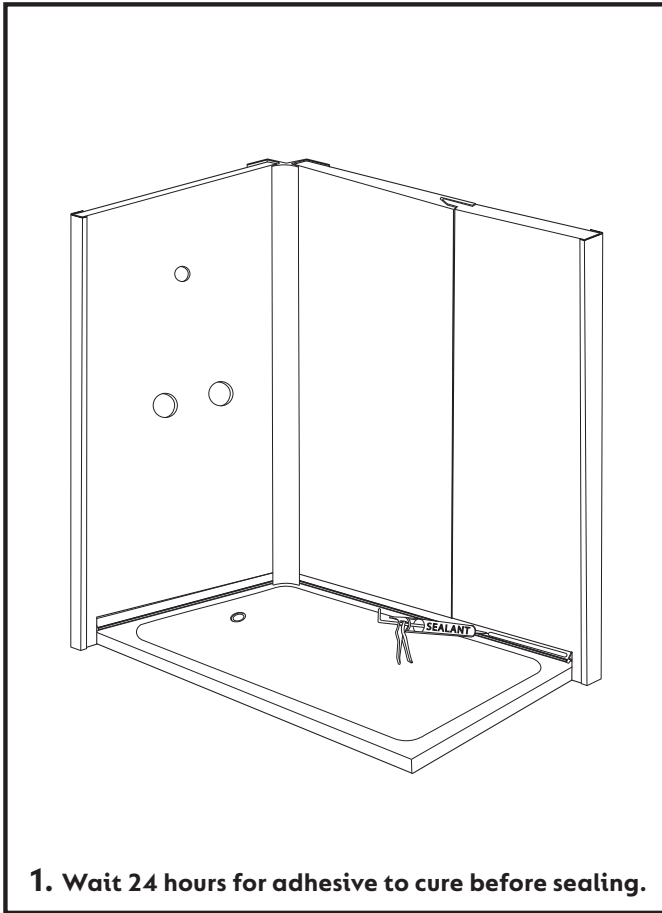
# PANEL INSTALLATION

Apply adhesive before fitting each panel

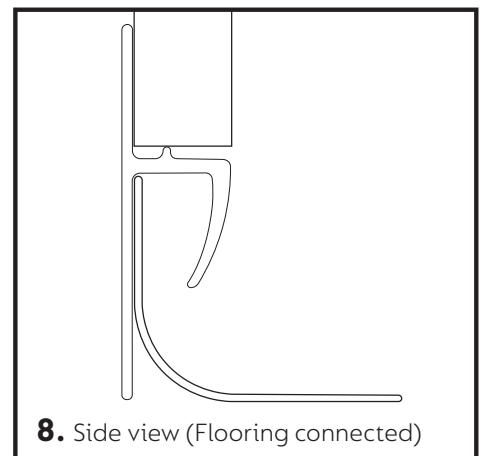
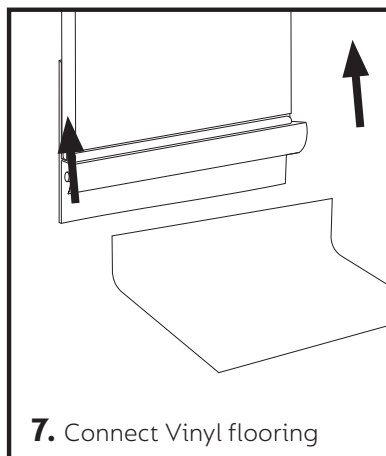
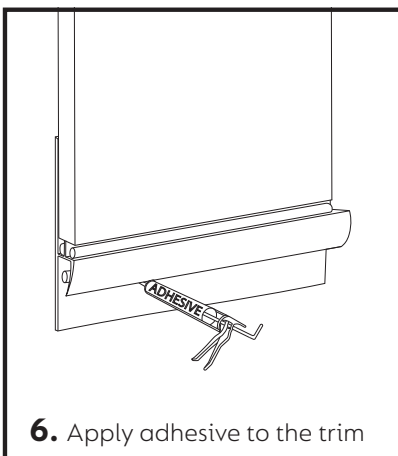
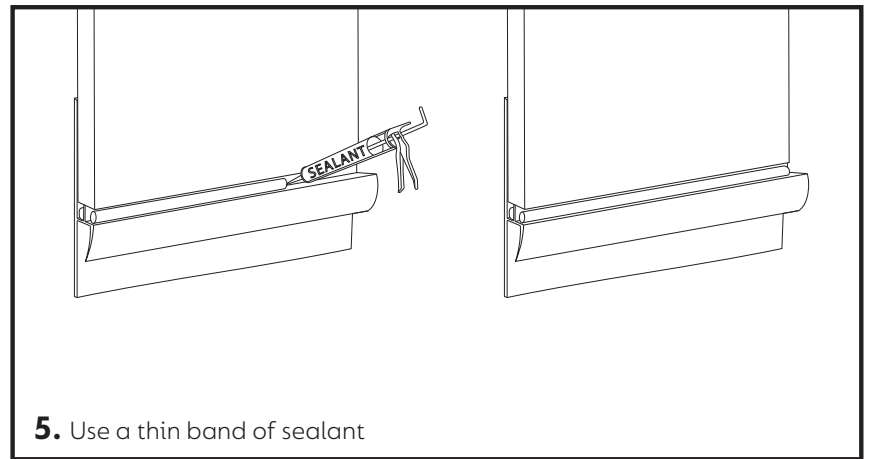
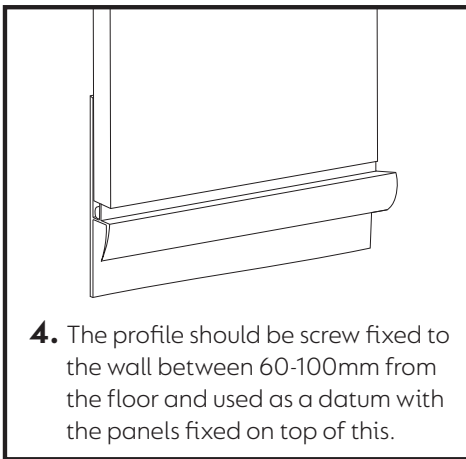
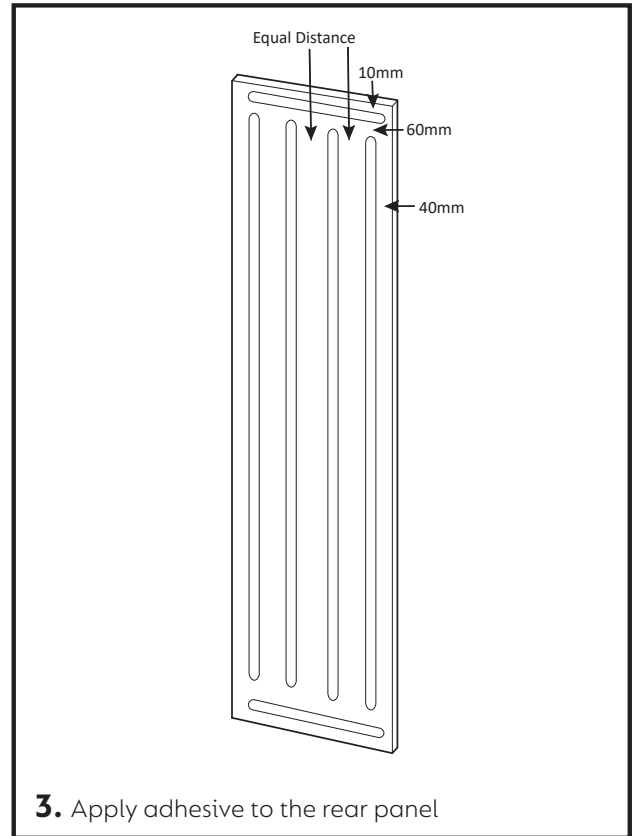
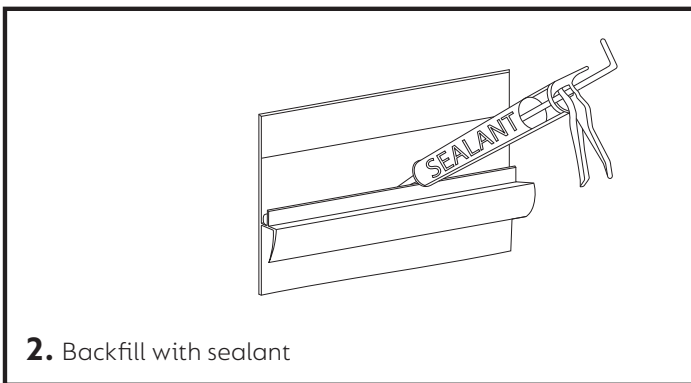
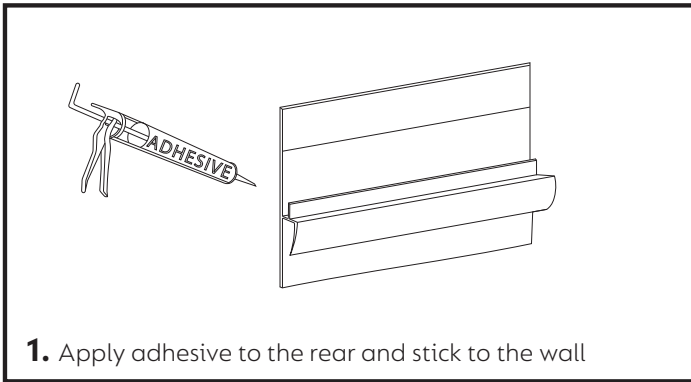




# SEALING



# VINYL FLOORING TRIM (OPTIONAL)



Wilsonart Ltd  
Lambton Street Industrial Estate  
Sildon  
DL4 1PX  
[www.wilsonart.co.uk](http://www.wilsonart.co.uk)

